



# RAPID FRYER SERIES: RF-3E

## Three Pan Six Basket Electric Fryer - 13.5 + 13.5 + 13.5 Kilowatt

Project: \_\_\_\_\_ Item: \_\_\_\_\_

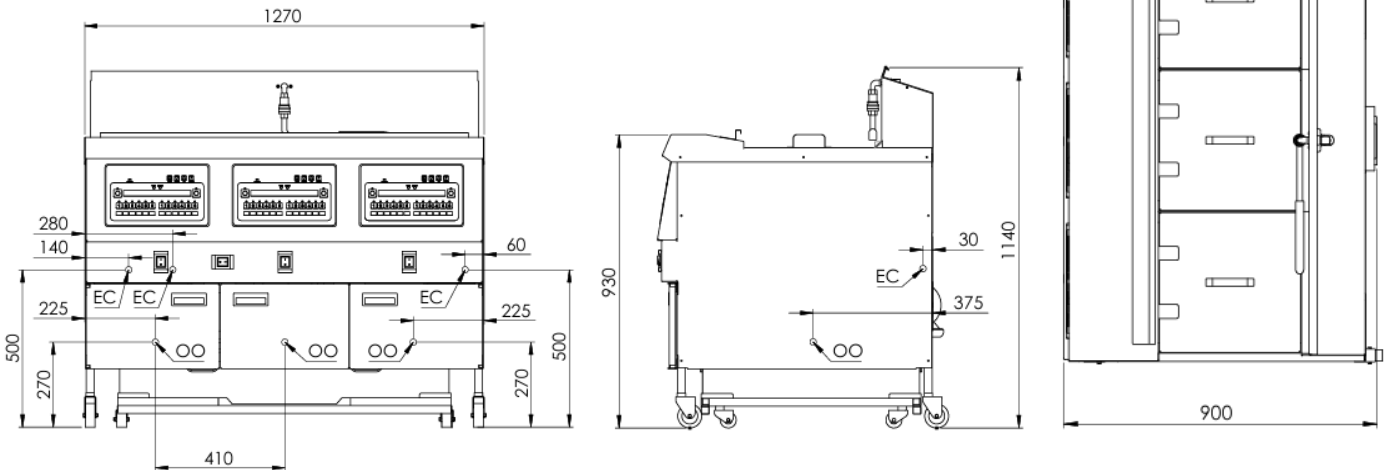


RF-3E

### Standard Features:

- AISI Grade Stainless Steel
- Heavy duty complete stainless steel frame
- Stainless steel constructed pans - 2mm Thick
- Highly efficient heating elements
- Built-in thermal insulation layer saves energy and improves efficiency
- Easy to use programable display controller
- Over-temperature safety cut-out switch
- Temperature range: 90°C - 190°C
- 40L oil capacity per pan
- Inbuilt oil filtration system and removable refill spout
- Removable oil collection tank with trolley for ease of access
- Easily movable unit with lockable front castors
- Baskets Provided: 335mm L x 165mm W x 150mm H (2 per tank)
- Pan Dimensions: 340mm W x 410mm D x 385mm H (Height from base to max oil level mark is 280mm H)

### Specifications:



MODEL	LENGTH (mm)	DEPTH (mm)	HEIGHT (mm)	NET WEIGHT (kg)
RF-3E	1270	900	1140	237

### Connections:

ELECTRICAL CONNECTION (EC)	ELECTRICAL SUPPLY REQUIREMENTS				
	VOLTAGE (V)	TYPE	FREQUENCY (Hz)	POWER (kW)	AMPS (A)
Hard Wired	400	3P+N+E	50/60	13.5 + 13.5 + 13.5	20

**Must** be installed by an authorised installer in accordance to **AS/NZS 3000** refer to current version

Due to ongoing Product Development, Product Improvement and Research, B+S Commercial Kitchens reserves the right to alter specification without notice.

**Electromagnetic Compatibility: AS/NZS CISPR 14.1, EN IEC 55014-1:2021**



B+S Commercial Kitchens  
57 Plateau Road Reservoir VIC 3073 Australia | +61 3 9469 4754  
info@bscommercialkitchens.com | www.bscommercialkitchens.com

