



B&S BLACK SERIES: YCJSF-1HE

Single Hole Waterless Heat Exchange Steamer

Project: _____ Item: _____



YCJSF-1HE

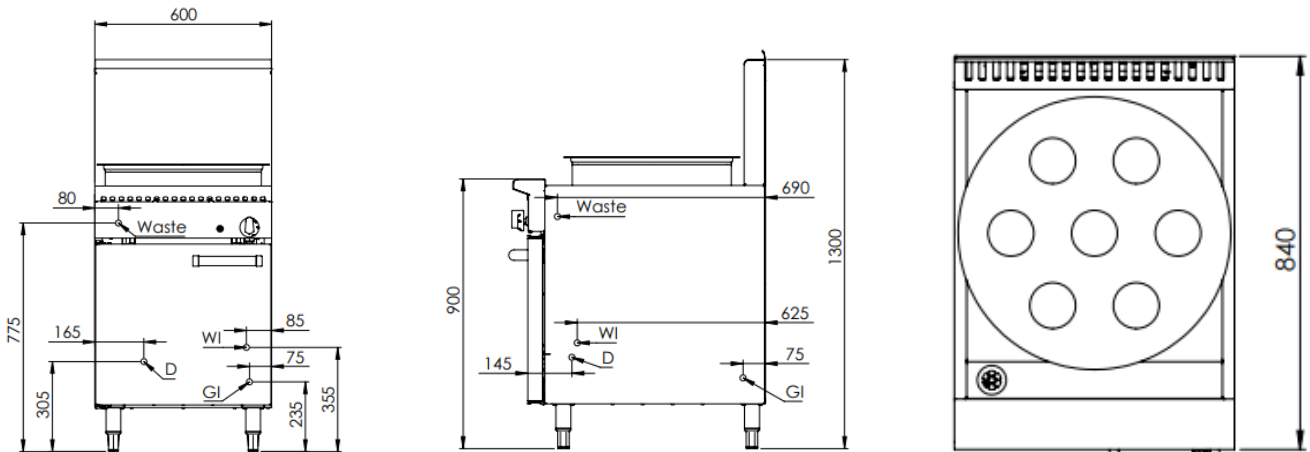
Standard Features:

- AISI Grade Stainless Steel
- Heavy duty complete stainless steel cabinet frame
- 87.5MJ 18-Jet Duck Bill Burner (DB)
- Insulated heat exchange chamber – 2mm thick
- Efficient omnidirectional conically perforated steam vent
- Overheat tank safety protection device fitted
- Automatic ball float refill mechanism allows for easy operation
- 37L water capacity
- 7-Hole perforated steaming plate
- Flame Failure - Included as standard
- Piezo ignition to pilot duck bill burner
- Front access to all components makes service easy

Options:

- Natural or LPG Gas
- Non-swivel rear castors – Set of two

Specifications:



MODEL	LENGTH (mm)	DEPTH (mm)	HEIGHT (mm)	NET WEIGHT (kg)	GAS CONSUMPTION (Mj/h)	
					NG	LPG
YCJSF-1HE	600	840	1300	-	87.5	84

Connections:

GAS (GI) (BSP)	WATER (WI)	DRAIN (D) WASTE	SUPPLY PRESSURE (kPa)	
			NG	LPG
3/4" (M)	1/2" (Copper)	D = 3/4" BSP (F) WASTE = 1 1/2" BSP (M)	1.0	2.6

- Gas regulator is included with the unit
- **Must** be installed by an authorised installer in accordance to **AS/NZS5601** refer to current version

Due to ongoing Product Development, Product Improvement and Research, B+S Commercial Kitchens reserves the right to alter specification without notice.

Approval Number: GMK 10697



B+S Commercial Kitchens
57 Plateau Road Reservoir VIC 3073 Australia | +61 3 9469 4754
info@bscommercialkitchens.com | www.bscommercialkitchens.com

