



VERRO SERIES: VOV-SB2-GRP3

Combination Oven with Two Open Burners & 300mm Grill Plate

Project: _____ Item: _____



VOV-SB2-GRP3

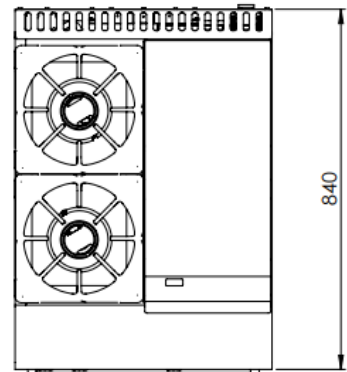
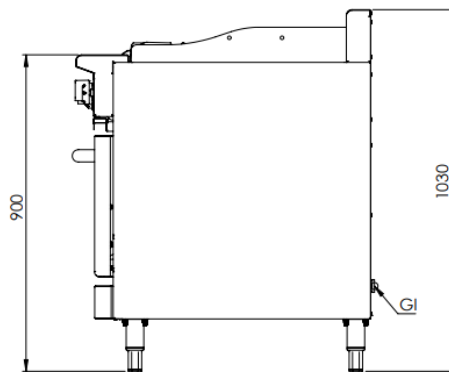
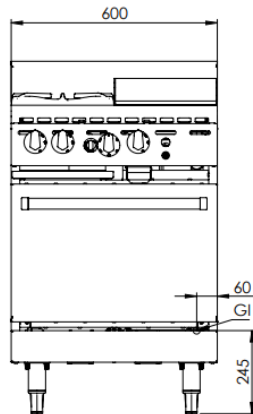
Standard Features:

- AISI Grade Stainless Steel
- Heavy duty complete stainless steel frame
- 31MJ black enameled Italian made burner (BT)
- 22MJ aluminised tube burner per 300mm section (GRP)
- 29MJ solid stainless steel tubular oven burner (OV)
- Heavy duty Italian made vitreous enameled trivets
- Heavy duty mild steel grill plate (12mm Thick)
- Top welded, smooth finish design
- Solid mild steel base plate allows for even heat distribution
- Heavy duty insulated drop down door with spring hinge system
- German manufactured thermostat ensures accurate temperature control
- Flame Failure - Included as standard
- Multi-setting gas valve – Allows greater regulation of flame setting
- Easy access to all components for servicing and adjustments
- Easy to clean fat spillage trays
- Largest gastronorm capacity in its class
- Internal Oven Dimensions: 630mm D x 485mm W x 290mm H (Height is measured from lowest rack position to the top panel)

Options:

- Natural or LPG Gas
- PLT – With Pilot
- Non-swivel rear castors – Set of two
- Chrome Plating
- Fan Forced

Specifications:



| MODEL | LENGTH (mm) | DEPTH (mm) | HEIGHT (mm) | NET WEIGHT (kg) | GAS CONSUMPTION (Mj/h) | |
|--------------|-------------|------------|-------------|-----------------|------------------------|-----|
| | | | | | NG | LPG |
| VOV-SB2-GRP3 | 600 | 840 | 1030 | - | 113 | 100 |

Connections:

| GAS (GI) (BSP) | FAN FORCED OPTION ELECTRICAL CONNECTION (EC) | SUPPLY PRESSURE (kPa) | |
|----------------|--|-----------------------|-----|
| | | NG | LPG |
| 3/4" (F) | 10A 250V~ 1.2m Plug 240V AC 50Hz 30W Fan | 1.0 | 2.6 |

- Gas regulator is included with the unit
- **Must** be installed by an authorised installer in accordance to **AS/NZS5601 refer to current version**

Due to ongoing Product Development, Product Improvement and Research, B+S Commercial Kitchens reserves the right to alter specification without notice.

Approval Number: GMK 10686



B+S Commercial Kitchens
57 Plateau Road Reservoir VIC 3073 Australia | +61 3 9469 4754
info@bscommercialkitchens.com | www.bscommercialkitchens.com

