



B+S BLACK SERIES: IB-450

Infill Bench 450mm on Stand

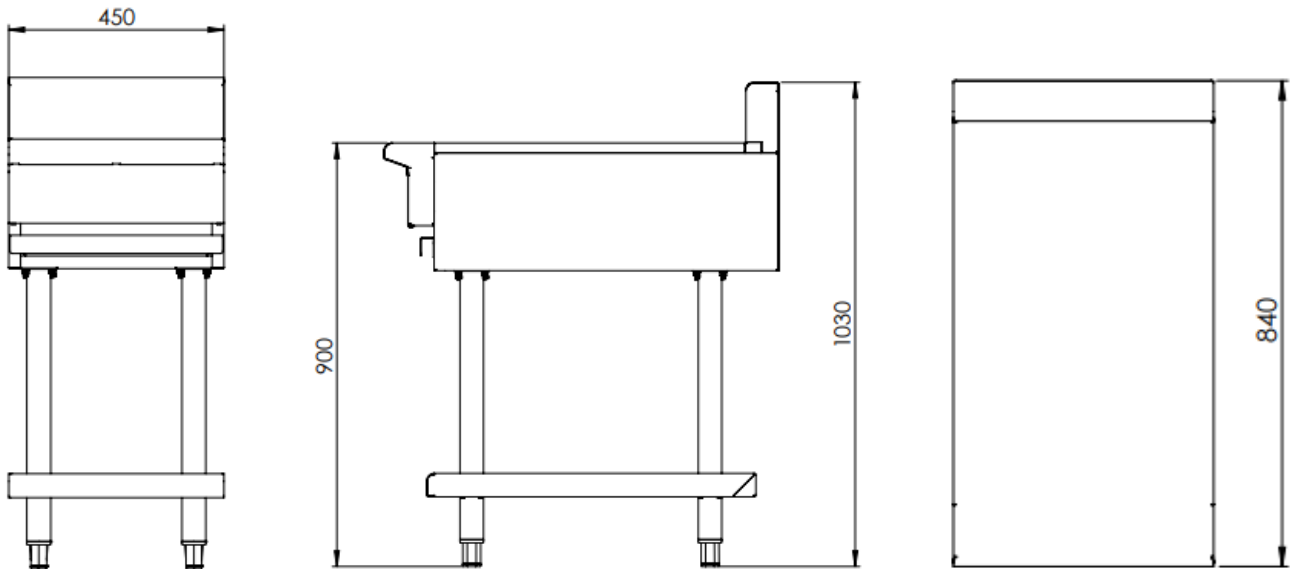
Project: _____ Item: _____



Standard Features:

- AISI Grade Stainless Steel
- Heavy duty complete stainless steel frame with undershelf
- Heavy duty top bench surface – 1.5mm Thick

Specifications:



MODEL	LENGTH (mm)	DEPTH (mm)	HEIGHT (mm)	NET WEIGHT (kg)
IB-450	450	840	1030	-

Due to ongoing Product Development, Product Improvement and Research, B+S Commercial Kitchens reserves the right to alter specification without notice.

