



VERRO SERIES: VOV-SB6FF

Six Burner Oven Fan Forced

Project: _____ Item: _____



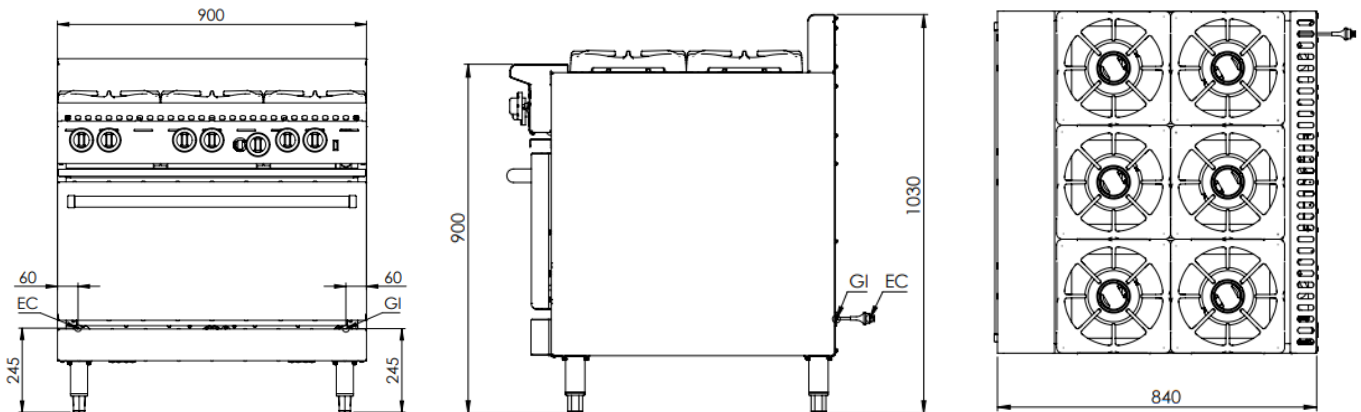
Standard Features:

- AISI 304 Grade Stainless Steel
- Heavy duty complete stainless steel frame
- 31MJ black enameled Italian made burner (BT)
- 29MJ solid stainless steel tubular oven burner (OV)
- Heavy duty Italian made vitreous enameled trivets
- Removable pressed top spillage tray for easy cleaning
- Removable heavy duty 2 piece burner for easy cleaning
- Solid mild steel base plate allows for even heat distribution
- Heavy duty insulated drop down door with spring hinge system
- German made thermostat ensures accurate temp control
- Multi-setting gas valve as standard allowing for greater regulation of flame setting
- Easy access to all components for servicing and adjustment
- Flame failure fitted as standard
- Largest gastronorm capacity in its class
- Internal Oven Dimensions: 630mm L x 785mm W x 290mm H (Height is measured from lowest rack position to the top panel)
- 36 Month Warranty

Options:

- Natural or LP Gas
- Pilot take off
- Non-swivel rear castors

Specifications:



| MODEL | LENGTH (mm) | DEPTH (mm) | HEIGHT (mm) | GAS CONSUMPTION (Mj/h) | |
|-----------|-------------|------------|-------------|------------------------|-----|
| | | | | NG | LPG |
| VOV-SB6FF | 900 | 840 | 1030 | 215 | 178 |

Connections:

| GAS (GI) (BSP) | ELECTRICAL CONNECTION (EC) | SUPPLY PRESSURE (kPa) | |
|----------------|---|-----------------------|-----|
| | | NG | LPG |
| ¾" (M) | 10A 250V~ 1.2m Plug 240V AC 50Hz 30W Fan | 1.0 | 2.6 |

- Regulator is included in the unit
- **Must** be installed by an authorised installer in accordance to **AS/NZS5601.01**

Due to ongoing Product Development, Product Improvement and Research, B+S Commercial Kitchens reserves the right to alter specification without notice.

Approval Number: GMK 10686



B+S Commercial Kitchens
57 Plateau Road Reservoir VIC 3073 Australia | +61 3 9469 4754
info@bscommercialkitchens.com | www.bscommercialkitchens.com

