



B+S BLACK SERIES: YCJSF-1

Single Hole Waterless Pot Steamer

Project: _____ Item: _____



YCJSF-1

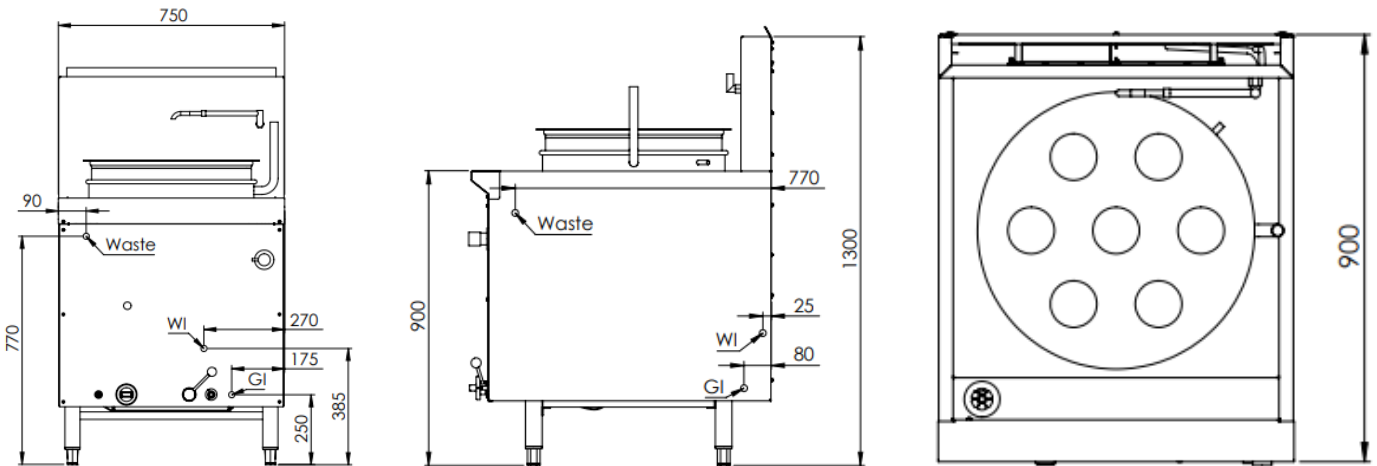
Standard Features:

- AISI 304 Grade Stainless Steel
- Heavy duty complete stainless steel cabinet frame
- Powerful 32-Jet Mongolian Cast Iron burner
- Ceramic lined and insulated heating chamber
- Refill tube and overflow pipe attached to water pot ensuring continuous water flow
- No deck cooling required
- Water retaining lip allows for water conservation
- 64L water pot capacity
- 7-Hole perforated steaming plate
- Multi-setting gas valve as standard allowing for greater regulation of flame setting
- Heavy duty stainless steel lever action gas control
- Flame failure fitted as standard
- Front access to all components makes service easy
- 24 Month Warranty

Options:

- Natural or LP Gas

Specifications:



MODEL	LENGTH (mm)	DEPTH (mm)	HEIGHT (mm)	GAS CONSUMPTION (Mj/h)	
				NG	LPG
YCJSF-1	750	900	1300	130	98

Connections:

GAS (GI) (BSP)	WATER (WI)	WASTE	SUPPLY PRESSURE (kPa)	
			NG	LPG
¾" (M)	½" (Copper)	2" BSP (M)	1.0	2.6

- Regulator is included within the unit
- **Must** be installed by an authorised installer in accordance to **AS/NZS5601.01**

Due to ongoing Product Development, Product Improvement and Research, B+S Commercial Kitchens reserves the right to alter specification without notice.

Approval Number: GMK 10698



B+S Commercial Kitchens
57 Plateau Road Reservoir VIC 3073 Australia | +61 3 9469 4754
info@bscommercialkitchens.com | www.bscommercialkitchens.com

