



B+S BLACK SERIES: RF-1

Single Pan Rapid Fryer

Project: _____ Item: _____



RF-1

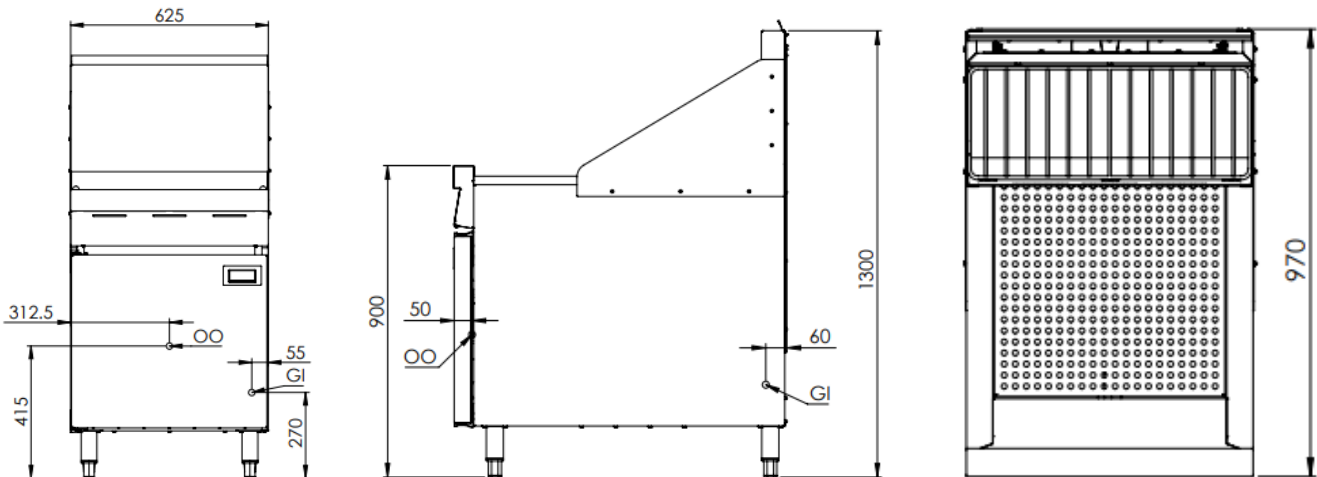
Standard Features:

- AISI 304 Grade Stainless Steel
- Stainless steel constructed pan with center cool zone – 2mm Thick
- Efficient multi-jet target burner
- +/- 3°C temperature recovery differential
- Over-temperature safety cut-out switch
- 40L oil capacity
- Flame failure fitted as standard
- Stainless steel fish plate and night cover included
- Front access to all components makes service easy
- Pan Dimensions: 510mm L x 510mm W x 70mm H (Height is measured from the base plate to the oil level mark)
- 24 Month Warranty

Options:

- Natural or LP Gas
- Non-swivel rear castors
- Baskets are **not** included

Specifications:



| MODEL | LENGTH (mm) | DEPTH (mm) | HEIGHT (mm) | GAS CONSUMPTION (MJ/h) | |
|-------|-------------|------------|-------------|------------------------|-----|
| | | | | NG | LPG |
| RF-1 | 625 | 415 | 1300 | 135 | 135 |

Connections:

| GAS (GI) (BSP) | OIL OUTLET (OO) (BSP) | SUPPLY PRESSURE (kPa) | |
|----------------|-----------------------|-----------------------|-----|
| | | NG | LPG |
| 3/4" (M) | 1 1/4" (F) | 1.0 | 2.6 |

- Combination control valve with inbuilt regulator is supplied within the unit
- **Must** be installed by an authorised installer in accordance to **AS/NZS5601.01**

Due to ongoing Product Development, Product Improvement and Research, B+S Commercial Kitchens reserves the right to alter specification without notice.

Approval Number: GMK 10683



B+S Commercial Kitchens
57 Plateau Road Reservoir VIC 3073 Australia | +61 3 9469 4754
info@bscommercialkitchens.com | www.bscommercialkitchens.com

