



# B+S BLACK SERIES: IB-600

## Infill Bench 600mm

Project: \_\_\_\_\_ Item: \_\_\_\_\_

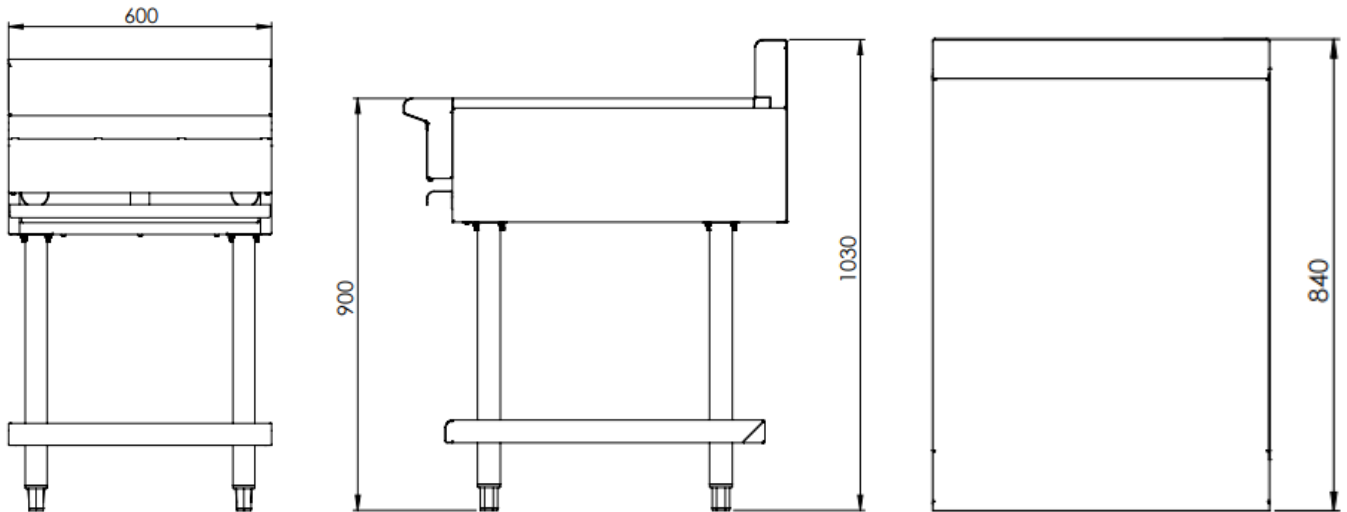


IB-600

### Standard Features:

- AISI 304 Grade Stainless Steel
- Heavy duty complete stainless steel frame

### Specifications:



MODEL	LENGTH (mm)	DEPTH (mm)	HEIGHT (mm)
IB-600	600	840	1030

Due to ongoing Product Development, Product Improvement and Research, B+S Commercial Kitchens reserves the right to alter specification without notice.

