



B+S BLACK SERIES: IB-300

Infill Bench 300mm

Project: _____ Item: _____

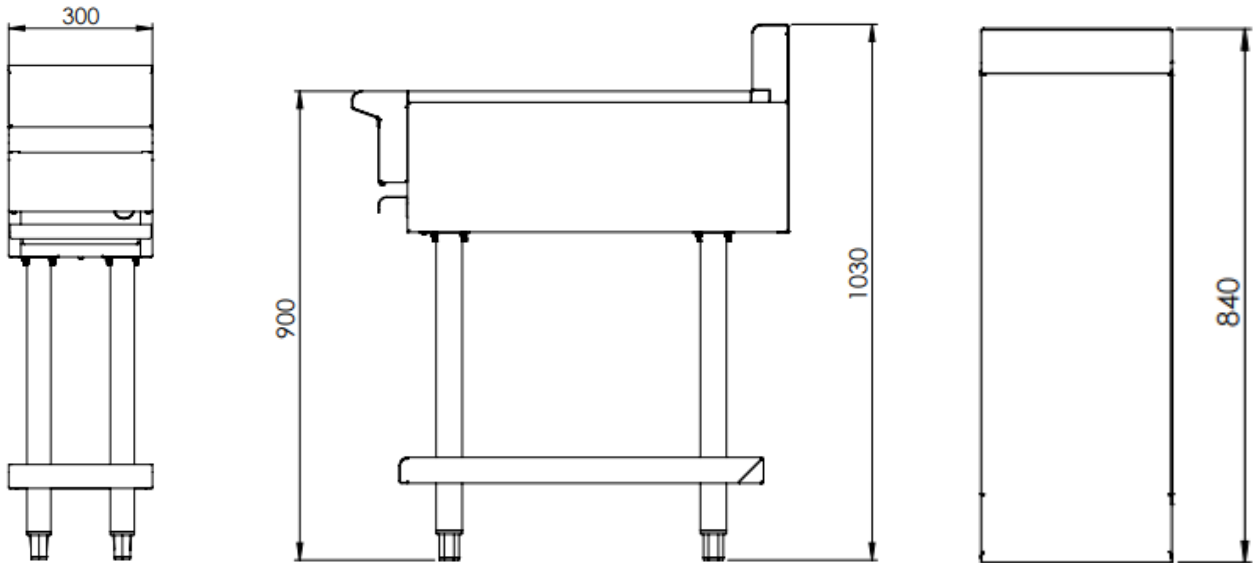


IB-300

Standard Features:

- AISI 304 Grade Stainless Steel
- Heavy duty complete stainless steel frame

Specifications:



MODEL	LENGTH (mm)	DEPTH (mm)	HEIGHT (mm)
IB-300	300	840	1030

Due to ongoing Product Development, Product Improvement and Research, B+S Commercial Kitchens reserves the right to alter specification without notice.

