



B+S BLACK SERIES: BT-SB6-GRP3

Combination Six Open Burners & 300mm Grill Plate

Project: _____ Item: _____



BT-SB6-GRP3

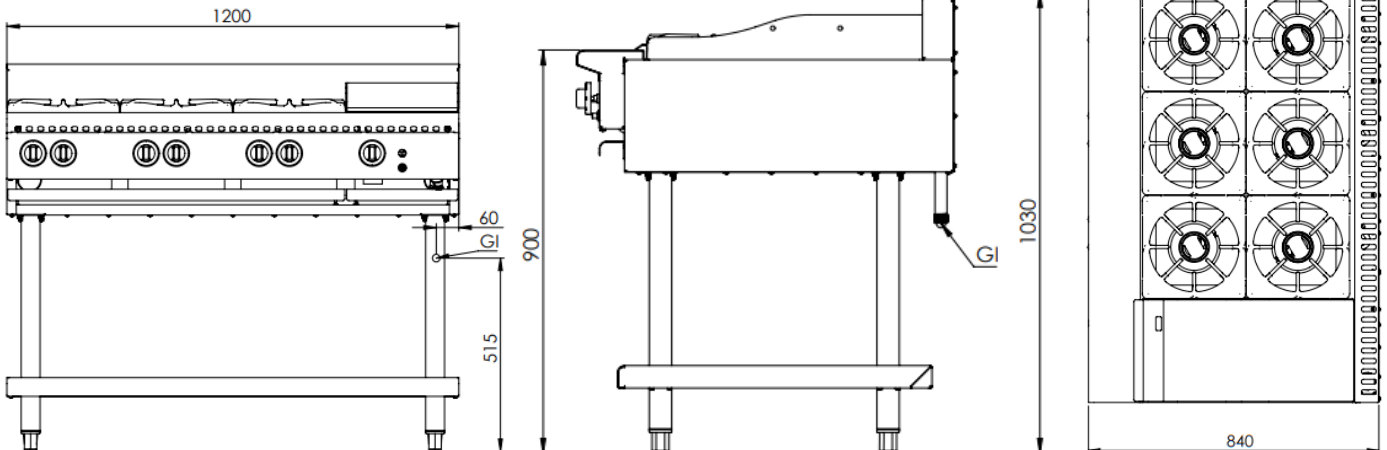
Standard Features:

- AISI 304 Grade Stainless Steel
- Heavy duty complete stainless steel frame
- 31MJ black enameled Italian made burner (BT)
- 22MJ aluminised tube burner per 300mm section (GRP)
- Heavy duty Italian made vitreous enameled trivets
- Heavy duty mild steel grill plate (12mm Thick)
- Removable pressed top spillage tray for easy cleaning
- Removable heavy duty 2 piece burner for easy cleaning
- Multi-setting gas valve as standard allowing for greater regulation of flame setting
- Easy access to all components for servicing and adjustment
- Flame failure fitted as standard
- 24 Month Warranty

Options:

- Natural or LP Gas
- Pilot take off
- Non-swivel rear castors
- Chrome plating
- Custom burner configurations

Specifications:



MODEL	LENGTH (mm)	DEPTH (mm)	HEIGHT (mm)	GAS CONSUMPTION (Mj/h)	
				NG	LPG
BT-SB6-GRP3	1200	840	1030	208	172

Connections:

GAS (GI) (BSP)	SUPPLY PRESSURE (kPa)	
	NG	LPG
3/4" (M)	1.0	2.6

- Regulator is included in the unit
- **Must** be installed by an authorised installer in accordance to **AS/NZS5601.01**

Due to ongoing Product Development, Product Improvement and Research, B+S Commercial Kitchens reserves the right to alter specification without notice.

Approval Number: **GMK 10686**



B+S Commercial Kitchens
57 Plateau Road Reservoir VIC 3073 Australia | +61 3 9469 4754
info@bscommercialkitchens.com | www.bscommercialkitchens.com

