



# K+ SERIES: KTF-451S

## Split Tank Turbo Fryer

Project: \_\_\_\_\_ Item: \_\_\_\_\_



KTF-451S

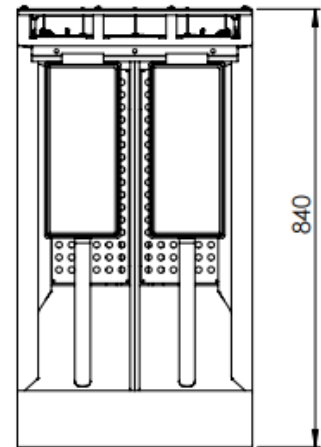
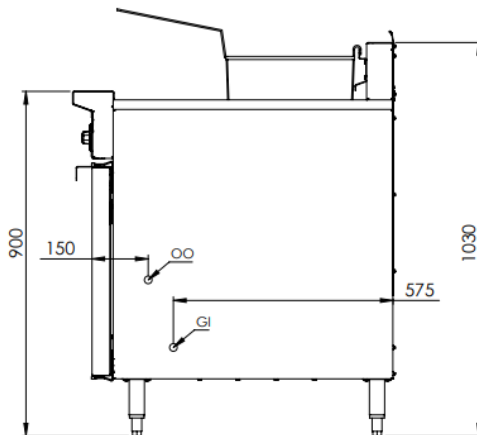
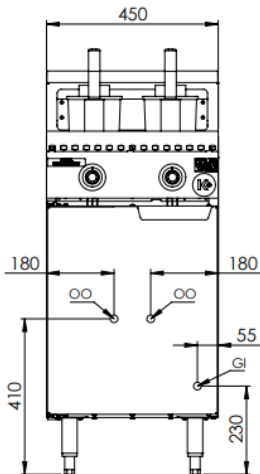
### Standard Features:

- Stainless Steel Frame
- Stainless Steel Constructed Split Pans with Cool Zones
- Energy-Efficient Target Burner
- Dual Over-Temperature Safety Switches
- Oil Temperature Thermostatically Regulated
- 13.5L Oil Capacity Pans
- Flame Failure Standard
- Night Covers & Baskets Included
- Front access to all components makes service easy
- 12-Month Warranty

### Options:

- Natural or LP Gas
- Castors

### Specifications:



MODEL	LENGTH (mm)	DEPTH (mm)	HEIGHT (mm)	GAS CONSUMPTION (Mj/h)	
				NG	LPG
KTF-451S	450	840	1030	76	76

### Connections:

GAS (GI) (BSP)	WASTE (OO) (BSP)	SUPPLY PRESSURE (kPa)	
		NG	LPG
¾" (M)	1" (F)	1.0	2.6

- Regulator is included in the unit
- **Must** be installed by an authorised installer

**Due to ongoing Product Development, Product Improvement and Research, B+S Commercial Kitchens reserves the right to alter specification without notice.**



B+S Commercial Kitchens  
57 Plateau Road Reservoir VIC 3073 Australia | +61 3 9469 4754  
info@bscommercialkitchens.com | www.bscommercialkitchens.com

