



K+ SERIES: KOV-SB2-CBR3

Combination Two Burner Oven with 300mm Char Broiler

Project: _____ Item: _____



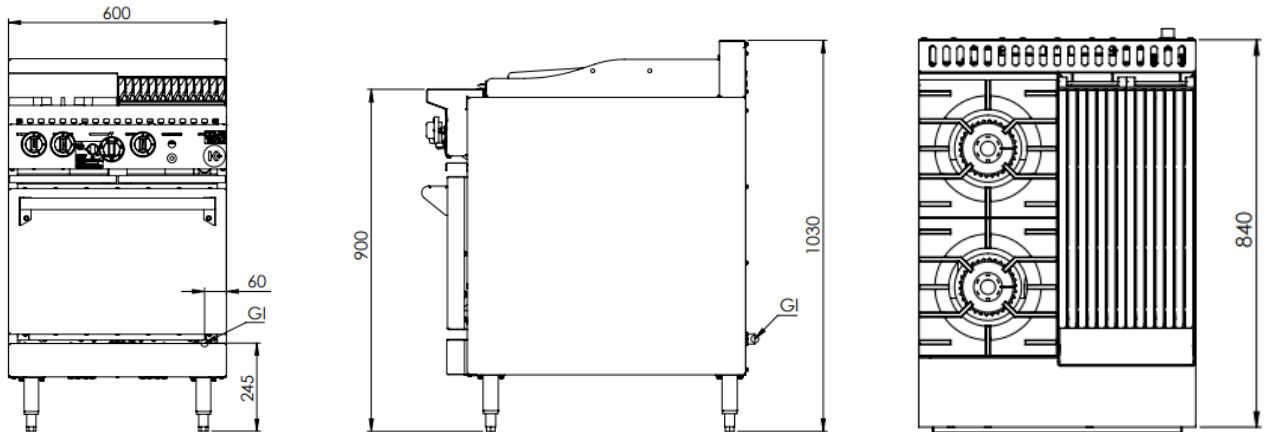
Standard Features:

- Stainless Steel Cabinet Frame
- Solid Steel Base Plate allows for even heat distribution
- Heavy Duty fully Insulated drop down door
- Largest Gastronorm capacity in its class
- 29MJ Oven Burner, 30MJ 2-Piece Cooktop Burner, 33MJ Char Broiler Burner
- German built Thermostat ensures accurate temp control
- Heavy Duty Cast Iron J-Grates & Radiant Hoods (CBR)
- Multi-setting gas valve as standard allowing for greater regulation of flame setting
- Piezo Ignition & Flame Failure Device
- Easy to clean fat spillage tray
- Front access to all components makes service easy
- Internal Oven Dimensions: 630mm L x 485mm W x 290mm H (Height is measured from lowest rack to the top panel)
- 12-Month Warranty

Options:

- Natural or LP Gas
- BTFF - Complete with Flame Failure
- BTPTO - Complete with Pilot Take Off only

Specifications:



MODEL	LENGTH (mm)	DEPTH (mm)	HEIGHT (mm)	GAS CONSUMPTION (Mj/h)	
				NG	LPG
KOV-SB2-CBR3	600	840	1030	122	119

Connections:

GAS (GI) (BSP)	SUPPLY PRESSURE (kPa)	
	NG	LPG
¾" (M)	1.0	2.6

- Regulator is included in the unit
- **Must** be installed by an authorised installer

Due to ongoing Product Development, Product Improvement and Research, B+S Commercial Kitchens reserves the right to alter specification without notice.



B+S Commercial Kitchens
 57 Plateau Road Reservoir VIC 3073 Australia | +61 3 9469 4754
 info@bscommercialkitchens.com | www.bscommercialkitchens.com

