



K+ SERIES: DSK-3S Triple Deck Steamer

Project: _____ Item: _____



DSK-3S

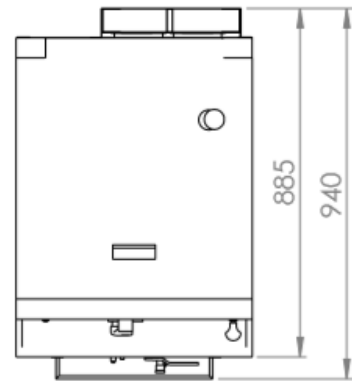
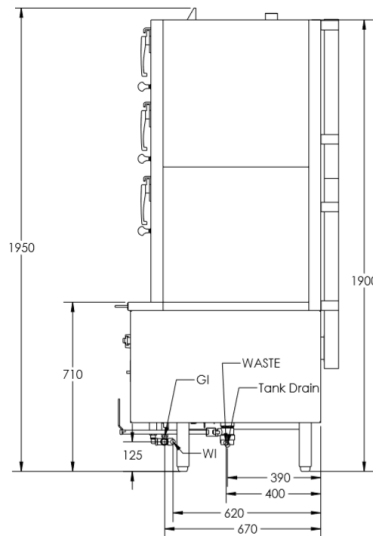
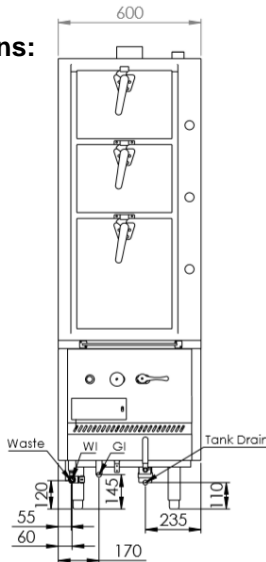
Standard Features:

- Stainless Steel Frame Construction
- Energy Efficient Heat Exchange System
- Insulated Heat Exchange Chamber
- Two Jet Burner System
- Flame Failure and Auto Ignition incorporated
- Auto Refill System and Pressure Release Valve Installed
- Three Stop Rotary Door Lock System
- Front access to all components makes service easy
- XSENTIAL Water Filtration Included.
- QF-9 Filtration System: QLD, NSW, ACT, VIC, TAS
- XP-195 Filtration System: NT, SA, WA
- 12-Month Warranty

Options:

- Natural or LP Gas

Specifications:



MODEL	LENGTH (mm)	DEPTH (mm)	HEIGHT (mm)	WEIGHT (kg)	GAS CONSUMPTION (Mj/h)	
					NG	LPG
DSK-3S	600	885 Unit 940 w/Rail	1950	200	90	90

Connections:

GAS (GI) (BSP)	WATER (WI)	WASTE (BSP)	TANK DRAIN (BSP)	SUPPLY PRESSURE (kPa)	
				NG	LPG
3/4" (M)	Non-Return Isolating Valve 15 mm Female Flared	2" (M)	2" (F)	1.0	2.6

- Regulator is included in the unit
- **Must** be installed by an authorised installer
- Warranty **Voided** if Water Filtration device is not installed

Due to ongoing Product Development, Product Improvement and Research, B+S Commercial Kitchens reserves the right to alter specification without notice.



B+S Commercial Kitchens
57 Plateau Road Reservoir VIC 3073 Australia | +61 3 9469 4754
info@bscommercialkitchens.com | www.bscommercialkitchens.com

