



VERRO SERIES: VHGRP-12

Grill Plate 1200mm

Project: _____ Item: _____



VHGRP-12

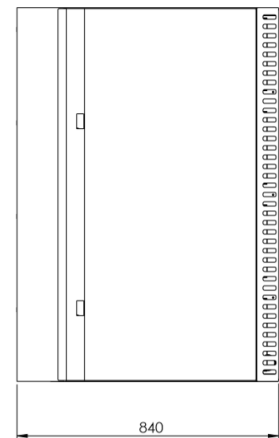
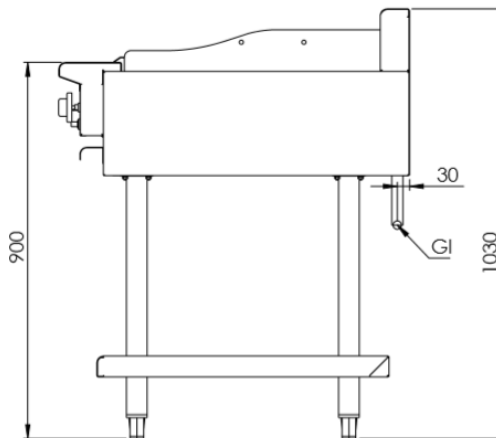
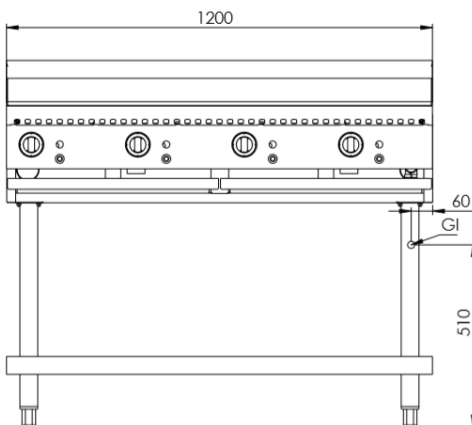
Standard Features:

- AISI 304 grade stainless steel
- Heavy duty complete stainless-steel frame
- 22MJ aluminised tube burner
- Top welded smooth mild steel plate 24mm thick
- Multi-setting gas valve as standard allowing for greater regulation of flame setting
- Piezo ignition and flame failure device
- Easy to clean fat spillage trays
- Easy access to all components for servicing and adjustment
- 24 month warranty

Options:

- Natural or LP gas

Specifications:



| MODEL | LENGTH (mm) | DEPTH (mm) | HEIGHT (mm) | GAS CONSUMPTION (Mj/h) | |
|----------|-------------|------------|-------------|------------------------|-----|
| | | | | NG | LPG |
| VHGRP-12 | 1200 | 840 | 1030 | 88 | 88 |

Connections:

| GAS (GI) (BSP) | SUPPLY PRESSURE (kPa) | |
|----------------|-----------------------|-----|
| | NG | LPG |
| 3/4" (M) | 1.0 | 2.6 |

- Regulator is included in the unit
- **Must** be installed by an authorised installer

Due to ongoing Product Development, Product Improvement and Research, B+S Commercial Kitchens reserves the right to alter specification without notice.



B+S Commercial Kitchens
 57 Plateau Road Reservoir VIC 3073 Australia | +61 3 9469 4754
 info@bscommercialkitchens.com | www.bscommercialkitchens.com

