



VERRO SERIES: VHBT-SB2

Two Burner Boiling Top

Project: _____ Item: _____



VHBT-SB2

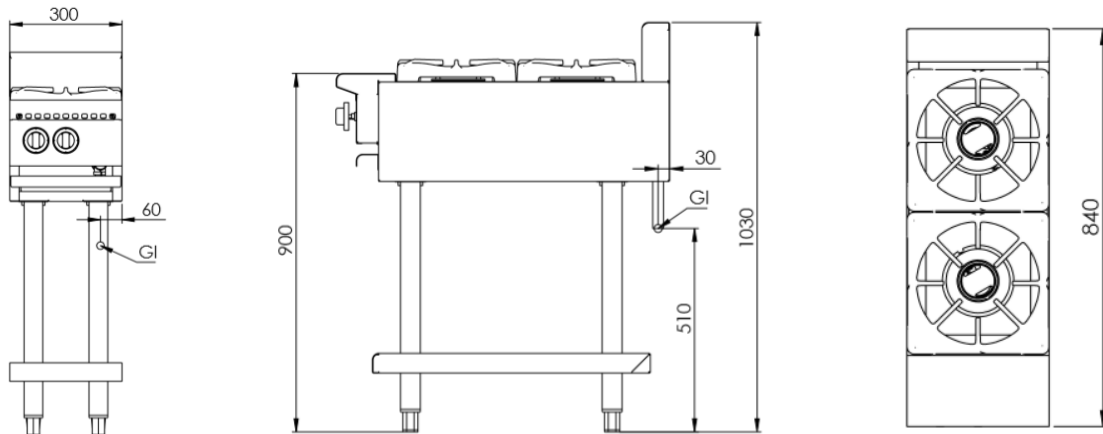
Standard Features:

- AISI 304 Grade Stainless Steel
- Heavy Duty complete stainless-steel frame
- 31MJ black enameled Italian made burner
- Removable pressed top spillage tray for easy cleaning
- Removable heavy duty 2-piece burner for easy cleaning
- Multi-setting gas valve as standard allowing for greater regulation of flame setting
- Pilot take off fitted as standard
- Heavy duty Italian made vitreous enameled trivets
- Easy access to all components for servicing and adjustment
- 24 Month warranty
- Flame Failure

Options:

- Custom Burner Configurations
- Natural or LP gas

Specifications:



| MODEL | LENGTH (mm) | DEPTH (mm) | HEIGHT (mm) | GAS CONSUMPTION (Mj/h) | |
|----------|-------------|------------|-------------|------------------------|-----|
| | | | | NG | LPG |
| VHBT-SB2 | 300 | 840 | 1030 | 62 | 50 |

Connections:

| GAS (GI) (BSP) | SUPPLY PRESSURE (kPa) | |
|----------------|-----------------------|-----|
| | NG | LPG |
| 3/4" (M) | 1.0 | 2.6 |

- Regulator is included in the unit
- **Must** be installed by an authorised installer

Due to ongoing Product Development, Product Improvement and Research, B+S Commercial Kitchens reserves the right to alter specification without notice.



B+S Commercial Kitchens
 57 Plateau Road Reservoir VIC 3073 Australia | +61 3 9469 4754
 info@bscommercialkitchens.com | www.bscommercialkitchens.com

