



VERRO SERIES: VUFWWSP-1 HS

Single Hole Waterless Stock Pot Cooker

Project: _____ Item: _____



VUFWWSP-1 HS

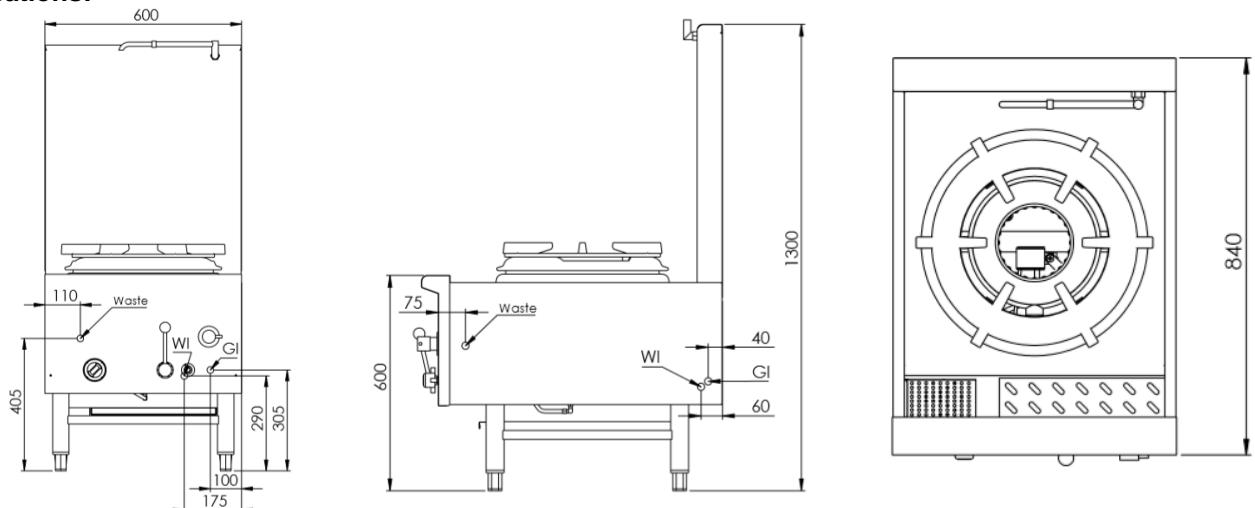
Standard Features:

- AISI 304 Grade Stainless Steel
- Heavy duty complete stainless-steel frame
- No deck cooling required
- 1.5mm pressed wok top
- Front waste gutter
- Australian made heavy duty tapware
- 340 dia. heavy duty long skirt cast iron ring
- Heavy duty extended finger trivet
- Easy access to all components for servicing and adjustment
- Flame failure device standard
- 24-month warranty

Options:

- 18 jet Duck Burner (DB)
- 24 jet Chimney Burner (CB)
- Natural or LP Gas

Specifications:



MODEL	LENGTH (mm)	DEPTH (mm)	HEIGHT (mm)	GAS CONSUMPTION (Mj/h)			
				NG - CB	NG - DB	LPG - CB	LPG - DB
VUFWWSP-1 HS	600	840	1300	105	126	75	90

Connections:

GAS (GI) (BSP)	WATER (WI)	WASTE (W) (BSP)	SUPPLY PRESSURE (kPa)	
			NG	LPG
3/4" (M)	1/2" (Copper)	2" (M)	1.0	2.6

- Regulator is included in the unit
- **Must** be installed by an authorised installer

Due to ongoing Product Development, Product Improvement and Research, B+S Commercial Kitchens reserves the right to alter specification without notice.



B+S Commercial Kitchens
57 Plateau Road Reservoir VIC 3073 Australia | +61 3 9469 4754
info@bscommercialkitchens.com | www.bscommercialkitchens.com

