



VERRO SERIES: VUFWW-2 LS

Two Hole Waterless Wok Table

Project: _____ Item: _____



VUFWW-2 LS

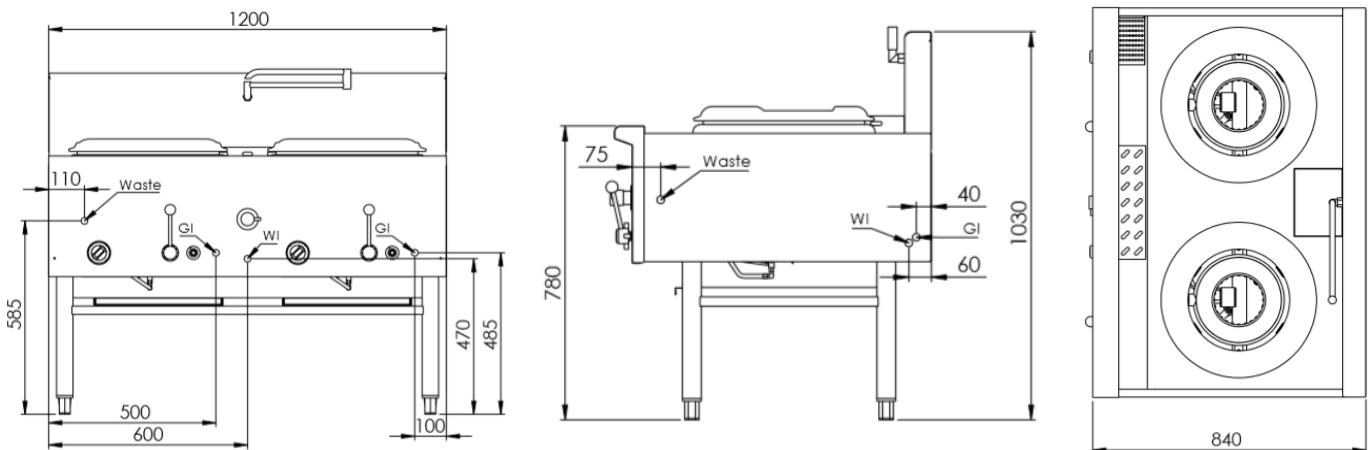
Standard Features:

- AISI 304 Grade Stainless Steel
- Heavy Duty Complete Stainless-Steel Frame
- No Deck Cooling Required
- 1.5mm Pressed Wok Top
- Heavy Duty Lever Action Gas Control
- Front Waste Gutter
- Australian Made Heavy Duty Tapware
- 340 dia. Heavy Duty Long Skirt Cast Iron Ring
- Easy access to all components for servicing and adjustment
- 24 Month Warranty

Options:

- 18 Jet Duck Burner (DB)
- 24 Jet Chimney Burner (CB)
- Natural or LP Gas

Specifications:



MODEL	LENGTH (mm)	DEPTH (mm)	HEIGHT (mm)	GAS CONSUMPTION (Mj/h)			
				NG - CB	NG - DB	LPG - CB	LPG - DB
VUFWW-2 LS	1200	840	1030	210	220	150	180

Connections:

GAS (GI) (BSP)	WATER (WI)	WASTE (W) (BSP)	SUPPLY PRESSURE (kPa)	
			NG	LPG
3/4" (M)	1/2" (Copper)	2" (M)	1.0	2.6

- Regulator is included in the unit
- Unit must be connected by **two** gas lines
- **Must** be installed by an authorised installer

Due to ongoing Product Development, Product Improvement and Research, B+S Commercial Kitchens reserves the right to alter specification without notice.



B+S Commercial Kitchens
57 Plateau Road Reservoir VIC 3073 Australia | +61 3 9469 4754
info@bscommercialkitchens.com | www.bscommercialkitchens.com

