



VERRO SERIES: VHIB-900 Infill Bench Hybrid

Project: _____ Item: _____

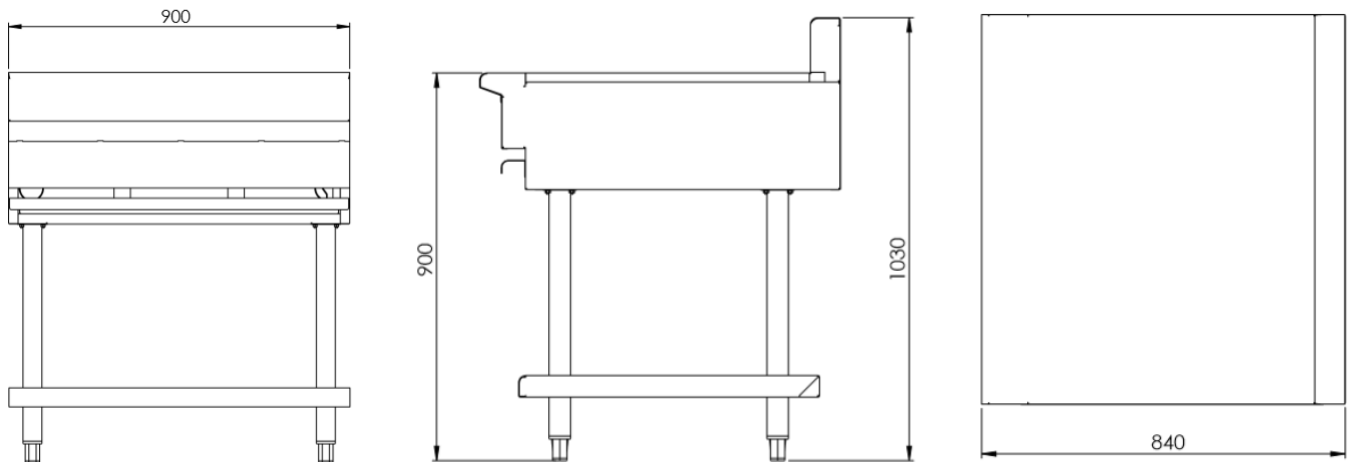


VHIB-900

Standard Features:

- AISI 304 grade stainless steel
- Heavy duty complete stainless-steel frame

Specifications:



MODEL	LENGTH (mm)	DEPTH (mm)	HEIGHT (mm)
VHIB-900	900	840	1030

Due to ongoing Product Development, Product Improvement and Research, B+S Commercial Kitchens reserves the right to alter specification without notice.



B+S Commercial Kitchens
57 Plateau Road Reservoir VIC 3073 Australia | +61 3 9469 4754
info@bscommercialkitchens.com | www.bscommercialkitchens.com

