



# VERRO SERIES: VHIB-600 Infill Bench Hybrid

Project: \_\_\_\_\_ Item: \_\_\_\_\_

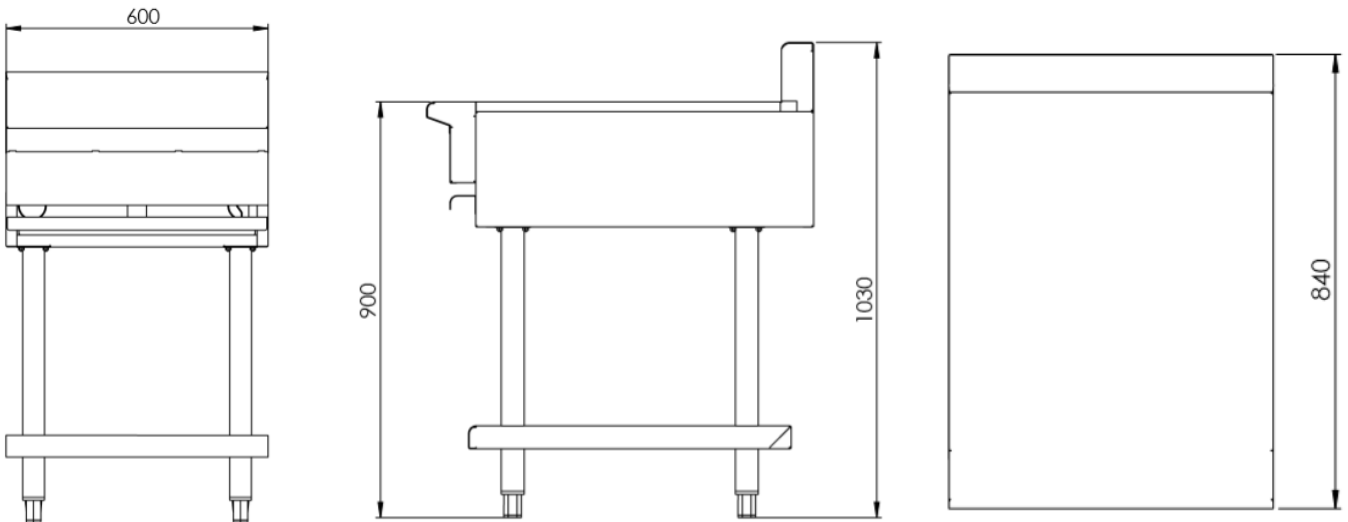


VHIB-600

### Standard Features:

- AISI 304 grade stainless steel
- Heavy duty complete stainless-steel frame

### Specifications:



MODEL	LENGTH (mm)	DEPTH (mm)	HEIGHT (mm)
VHIB-600	600	840	1030

Due to ongoing Product Development, Product Improvement and Research, B+S Commercial Kitchens reserves the right to alter specification without notice.



B+S Commercial Kitchens  
57 Plateau Road Reservoir VIC 3073 Australia | +61 3 9469 4754  
info@bscommercialkitchens.com | www.bscommercialkitchens.com

