



# VERRO SERIES: VHCGR-3

## Char Grill 300mm

Project: \_\_\_\_\_ Item: \_\_\_\_\_



VHCGR-3

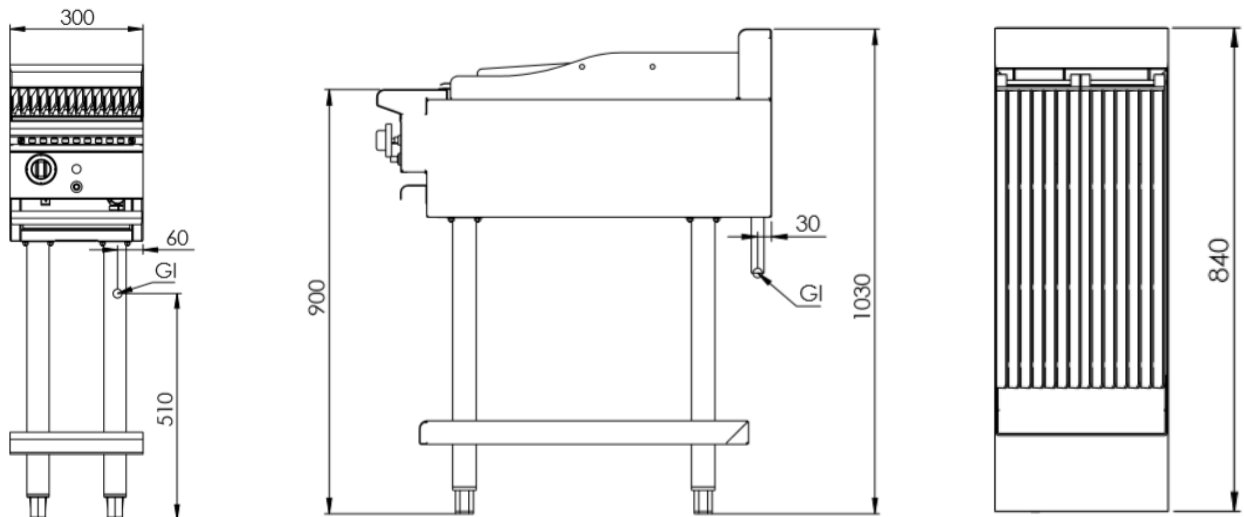
### Standard Features:

- AISI 304 grade stainless steel
- Heavy duty complete stainless-steel frame
- 26MJ cast iron burner per 300mm section
- Heavy duty cast iron J grates and volcanic rocks
- Multi-setting gas valve as standard allowing for greater regulation of flame setting
- Piezo ignition and flame failure device
- Easy to clean fat spillage trays
- Easy access to all components for servicing and adjustment
- 24-month warranty

### Options:

- Natural or LP gas

### Specifications:



| MODEL   | LENGTH (mm) | DEPTH (mm) | HEIGHT (mm) | GAS CONSUMPTION (Mj/h) |     |
|---------|-------------|------------|-------------|------------------------|-----|
|         |             |            |             | NG                     | LPG |
| VHCGR-3 | 300         | 840        | 1030        | 26                     | 29  |

### Connections:

| GAS (GI) (BSP) | SUPPLY PRESSURE (kPa) |     |
|----------------|-----------------------|-----|
|                | NG                    | LPG |
| ¾" (M)         | 1.0                   | 2.6 |

- Regulator is included in the unit
- **Must** be installed by an authorised installer

**Due to ongoing Product Development, Product Improvement and Research, B+S Commercial Kitchens reserves the right to alter specification without notice.**



B+S Commercial Kitchens  
 57 Plateau Road Reservoir VIC 3073 Australia | +61 3 9469 4754  
 info@bscommercialkitchens.com | www.bscommercialkitchens.com

