



VERRO SERIES: VHBT-SB4-GRP3

Combination Four Open Burners & 300mm Grill Plate

Project: _____ Item: _____



VHBT-SB4-GRP3

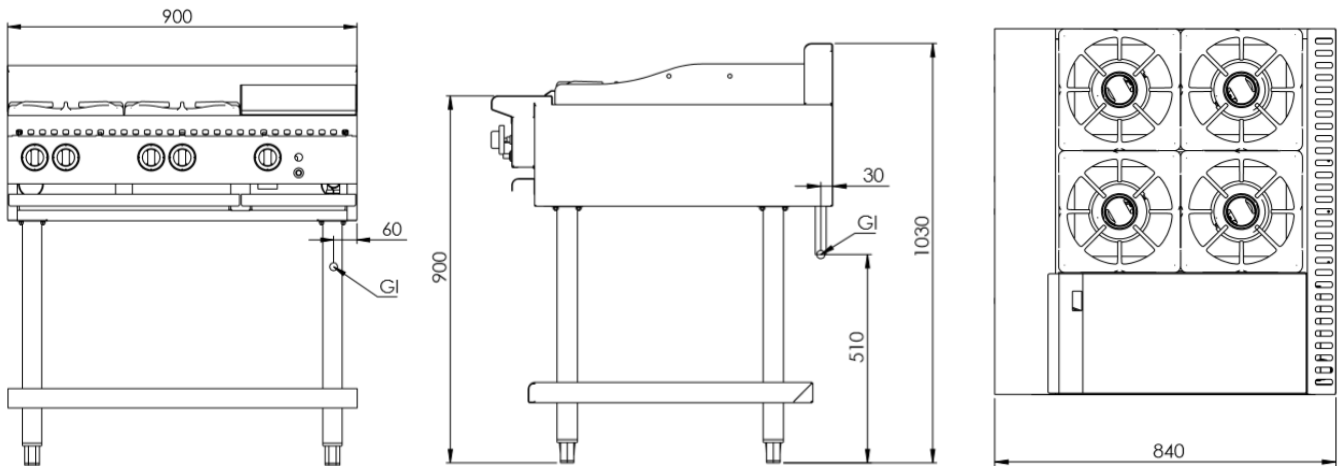
Standard Features:

- AISI 304 Grade Stainless Steel
- Heavy Duty complete stainless-steel frame
- 31MJ black enameled Italian made burner
- Removable pressed top spillage tray for easy cleaning
- Removable heavy duty 2-piece burner for easy cleaning
- Multi-setting gas valve as standard allowing for greater regulation of flame setting
- Pilot Take Off fitted as standard
- Heavy Duty Italian made vitreous enameled trivets
- Heavy Duty Mild Steel Plate (GRP section)
- Easy access to all components for servicing and adjustment
- 24 Month warranty
- Flame Failure

Options:

- Custom Burner Configurations
- Natural or LP gas

Specifications:



MODEL	LENGTH (mm)	DEPTH (mm)	HEIGHT (mm)	GAS CONSUMPTION (Mj/h)	
				NG	LPG
VHBT-SB4-GRP3	900	840	1030	146	122

Connections:

GAS (GI) (BSP)	SUPPLY PRESSURE (kPa)	
	NG	LPG
3/4" (M)	1.0	2.6

- Regulator is included in the unit
- **Must** be installed by an authorised installer

Due to ongoing Product Development, Product Improvement and Research, B+S Commercial Kitchens reserves the right to alter specification without notice.



B+S Commercial Kitchens
 57 Plateau Road Reservoir VIC 3073 Australia | +61 3 9469 4754
 info@bscommercialkitchens.com | www.bscommercialkitchens.com

