



B+S BLACK SERIES: OV-SB2-GRP3

Oven with Two Open Burners & 300mm Grill Plate

Project: _____ Item: _____



OV-SB2-GRP3

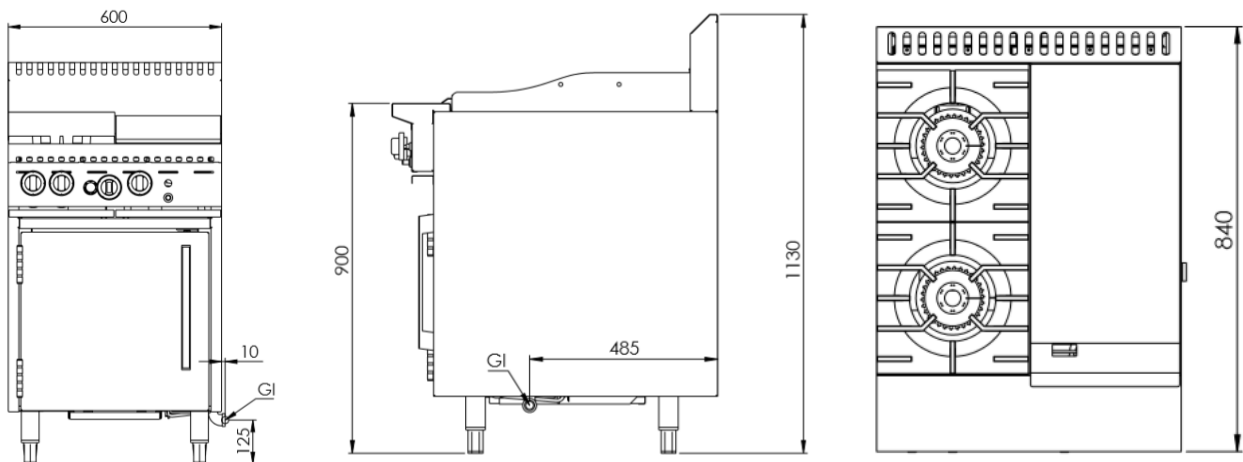
Standard Features:

- AISI 304 grade stainless steel
- Heavy duty cast iron trivet
- Heavy duty mild steel plate (GRP section)
- Combination of 'U' shaped burner and natural convection process allows for even distribution of heat through oven chamber
- Barn doors for greater access to cooking area
- Powerful 30Mj cooktop section burner comes in two pieces for easy cleaning
- Multi-setting gas valve as standard allowing for greater regulation of flame setting
- Easy to clean fat spillage tray
- Heavy duty stainless steel frame construction
- Internal Oven Dimensions: 630mm L x 470mm W x 290mm H (Height is measured from lowest rack to the top panel)
- 18 month warranty

Options:

- Flame Failure device is optional for Boiling Top burners
- Natural or LP Gas

Specifications:



MODEL	LENGTH (mm)	DEPTH (mm)	HEIGHT (mm)	GAS CONSUMPTION (Mj/h)	
				NG	LPG
OV-SB2-GRP3	600	840	1130	106	105

Connections:

GAS (GI) (BSP)	SUPPLY PRESSURE (kPa)	
	NG	LPG
¾" (M)	1.0	2.6

- Regulator is included in the unit
- **Must** be installed by an authorised installer

Due to ongoing Product Development, Product Improvement and Research, B+S Commercial Kitchens reserves the right to alter specification without notice.



B+S Commercial Kitchens
 57 Plateau Road Reservoir VIC 3073 Australia | +61 3 9469 4754
 info@bscommercialkitchens.com | www.bscommercialkitchens.com

