



# K+ SERIES: KOV-SB4-GRP3

## Combination Four Burner Oven with 300mm Grill Plate

Project: \_\_\_\_\_ Item: \_\_\_\_\_



KOV-SB4-GRP3

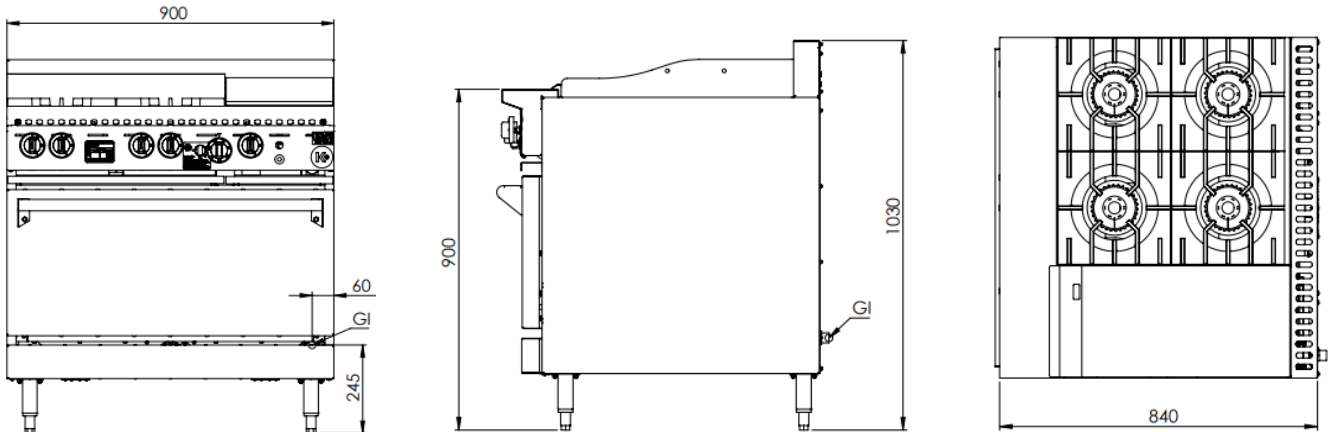
### Standard Features:

- Stainless Steel Cabinet Frame
- Solid Steel Base Plate allows for even heat distribution
- Heavy Duty fully Insulated drop down door
- Largest Gastronorm capacity in its class
- 29MJ Oven Burner, 30MJ 2-Piece Cooktop Burner, 22MJ GRP Burner
- German built Thermostat ensures accurate temp control
- Heavy Duty Mild Steel Plate (12mm Thick)
- Multi-setting gas valve as standard allowing for greater regulation of flame setting
- Piezo Ignition & Flame Failure Device
- Easy to clean fat spillage tray
- Front access to all components makes service easy
- Internal Oven Dimensions: 630mm L x 785mm W x 290mm H (Height is measured from lowest rack to the top panel)
- 12-Month Warranty

### Options:

- Natural or LP Gas
- BTFF - Complete with Flame Failure
- BTPTO - Complete with Pilot Take Off only

### Specifications:



MODEL	LENGTH (mm)	DEPTH (mm)	HEIGHT (mm)	GAS CONSUMPTION (Mj/h)	
				NG	LPG
KOV-SB4-GRP3	900	840	1030	171	170

### Connections:

GAS (GI) (BSP)	SUPPLY PRESSURE (kPa)	
	NG	LPG
¾" (M)	1.0	2.6

- Regulator is included in the unit
- **Must** be installed by an authorised installer

**Due to ongoing Product Development, Product Improvement and Research, B+S Commercial Kitchens reserves the right to alter specification without notice.**



B+S Commercial Kitchens  
57 Plateau Road Reservoir VIC 3073 Australia | +61 3 9469 4754  
info@bscommercialkitchens.com | www.bscommercialkitchens.com

