



# K+ SERIES: KOV-SB2-GRP3

## Combination Two Burner Oven with 300mm Grill Plate

Project: \_\_\_\_\_ Item: \_\_\_\_\_



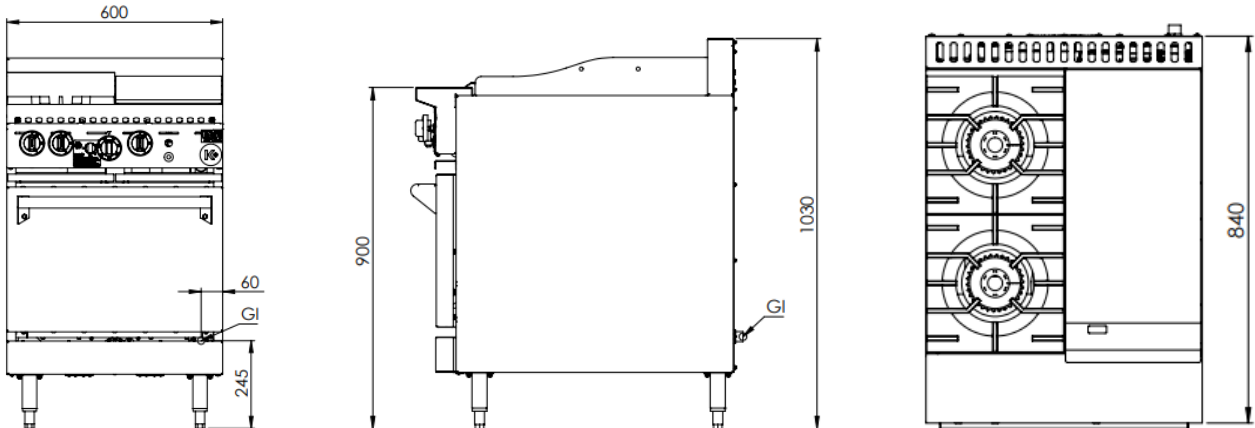
### Standard Features:

- Stainless Steel Cabinet Frame
- Solid Steel Base Plate allows for even heat distribution
- Heavy Duty fully Insulated drop down door
- Largest Gastronorm capacity in its class
- 29MJ Oven Burner, 30MJ 2-Piece Cooktop Burner, 22MJ GRP Burner
- German built Thermostat ensures accurate temp control
- Heavy Duty Mild Steel Plate (12mm Thick)
- Multi-setting gas valve as standard allowing for greater regulation of flame setting
- Piezo Ignition & Flame Failure Device
- Easy to clean fat spillage tray
- Front access to all components makes service easy
- Internal Oven Dimensions: 630mm L x 485mm W x 290mm H (Height is measured from lowest rack to the top panel)
- 12-Month Warranty

### Options:

- Natural or LP Gas
- Castors

### Specifications:



| MODEL        | LENGTH (mm) | DEPTH (mm) | HEIGHT (mm) | GAS CONSUMPTION (Mj/h) |     |
|--------------|-------------|------------|-------------|------------------------|-----|
|              |             |            |             | NG                     | LPG |
| KOV-SB2-GRP3 | 600         | 840        | 1030        | 111                    | 110 |

### Connections:

| GAS (GI) (BSP) | SUPPLY PRESSURE (kPa) |     |
|----------------|-----------------------|-----|
|                | NG                    | LPG |
| ¾" (M)         | 1.0                   | 2.6 |

- Regulator is included in the unit
- **Must** be installed by an authorised installer

**Due to ongoing Product Development, Product Improvement and Research, B+S Commercial Kitchens reserves the right to alter specification without notice.**



B+S Commercial Kitchens  
57 Plateau Road Reservoir VIC 3073 Australia | +61 3 9469 4754  
info@bscommercialkitchens.com | www.bscommercialkitchens.com

