



# K+ SERIES: KBT-SB2-GRP3

## Combination Two Burner Boiling Top with 300mm Grill Plate

Project: \_\_\_\_\_ Item: \_\_\_\_\_



KBT-SB2-GRP3

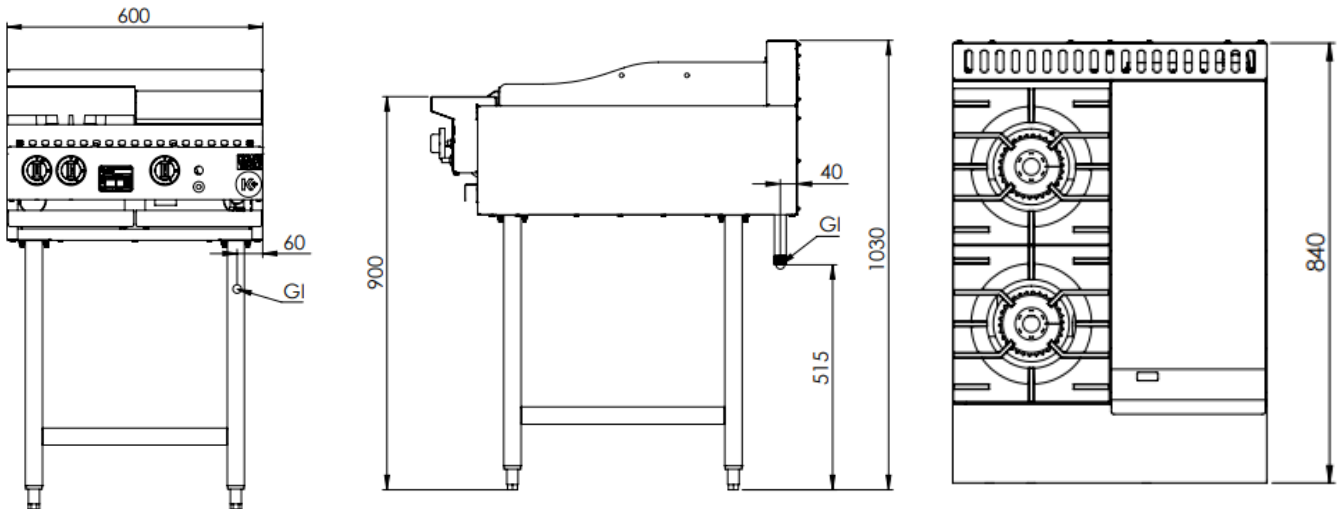
### Standard Features:

- Stainless Steel Frame
- Powerful 30Mj Cooktop Section Burner comes in two pieces for easy cleaning
- Multi-setting gas valve as standard allowing for greater regulation of flame setting
- Heavy Duty Cast Iron Trivets
- Heavy Duty 12mm Thick Mild Steel Plate
- Piezo Ignition & Flame Failure Device
- Open Stand with Under Shelf
- Easy to clean fat spillage tray
- Front access to all components makes service easy
- 12-Month Warranty

### Options:

- Natural or LP Gas
- BTFF- Complete with Flame Failure
- BTPTO – Complete with Pilot Take Off Only

### Specifications:



MODEL	LENGTH (mm)	DEPTH (mm)	HEIGHT (mm)	GAS CONSUMPTION (Mj/h)	
				NG	LPG
KBT-SB2-GRP3	600	840	1030	82	82

### Connections:

GAS (GI) (BSP)	SUPPLY PRESSURE (kPa)	
	NG	LPG
3/4" (M)	1.0	2.6

- Regulator is included in the unit
- **Must** be installed by an authorised installer

Due to ongoing Product Development, Product Improvement and Research, B+S Commercial Kitchens reserves the right to alter specification without notice.



B+S Commercial Kitchens  
 57 Plateau Road Reservoir VIC 3073 Australia | +61 3 9469 4754  
 info@bscommercialkitchens.com | www.bscommercialkitchens.com

