



VERRO SERIES: VNC-SW3

Noodle Cooker with Soup Warmer Insert (3 Rectangulars)

Project: _____ Item: _____



VNC-SW3

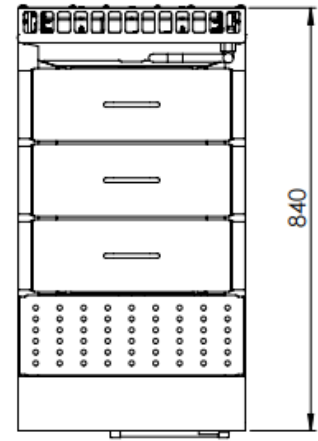
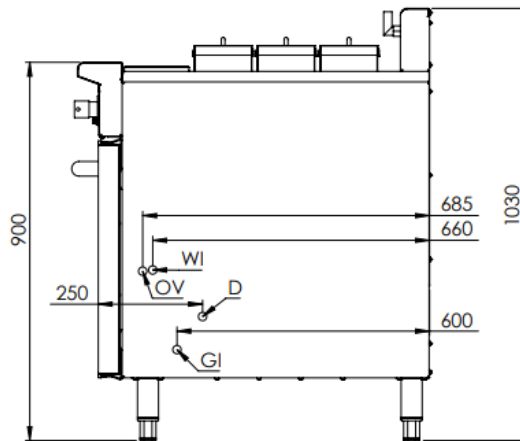
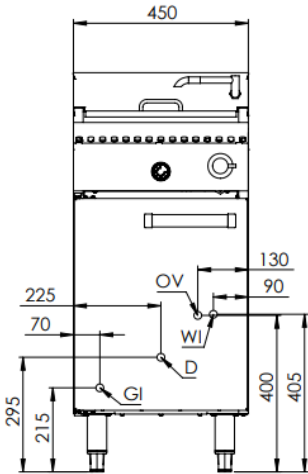
Standard Features:

- AISI 304 Grade Stainless Steel
- AISI 316 marine grade stainless steel tank
- Efficient multi-jet target burner
- In-built water overflow helps remove water impurities
- Water temperature is thermostatically controlled
- 30L water capacity
- Flame failure fitted as standard
- 8L soup warmer pots provided
- Front access to all components makes service easy
- Pan Dimensions: 455mm L x 300mm W x 120mm H (Height is measured from the base plate to water level mark)
- 36 Month Warranty

Options:

- Natural or LP Gas
- Non-swivel rear castors

Specifications:



MODEL	LENGTH (mm)	DEPTH (mm)	HEIGHT (mm)	GAS CONSUMPTION (Mj/h)	
				NG	LPG
VNC-SW3	450	840	1030	70	75

Connections:

GAS (GI) (BSP)	WATER (WI)	DRAIN (D) OVERFLOW (OV)	SUPPLY PRESSURE (kPa)	
			NG	LPG
3/4" (M)	1/2" (Copper)	D = 1" BSP (F) OV = 1" Butyl Hose	1.0	2.6

- Combination control valve with inbuilt regulator is supplied within the unit
- **Must** be installed by an authorised installer in accordance to **AS/NZS5601.01**

Due to ongoing Product Development, Product Improvement and Research, B+S Commercial Kitchens reserves the right to alter specification without notice.

Approval Number: GMK 10682



B+S Commercial Kitchens
57 Plateau Road Reservoir VIC 3073 Australia | +61 3 9469 4754
info@bscommercialkitchens.com | www.bscommercialkitchens.com

